

MODEL : FILTRES HB 630

PRODUCT CODE: 021312HB

FILTRATION AREA : 0,31 m<sup>2</sup>

FILTER DIAMETER : 600 mm

VOLUME: 330 L

FILTRATION MEDIA : 0,4 - 0,8 mm

OPERATION PRESSURE : 2,5 kg/cm<sup>2</sup>

TEST PRESSURE : 4 kg/cm<sup>2</sup>

FLOW RATE : 15,6 m<sup>3</sup>/h

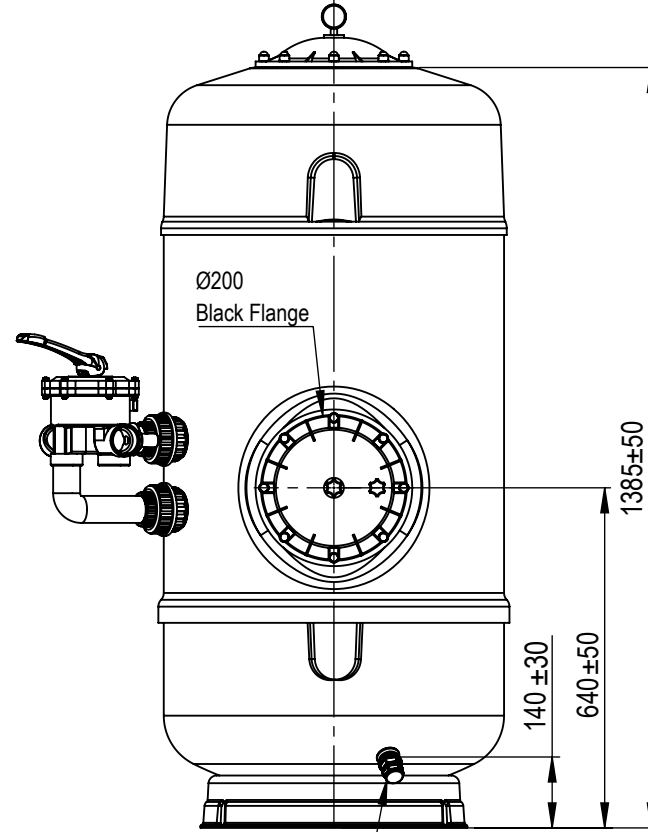
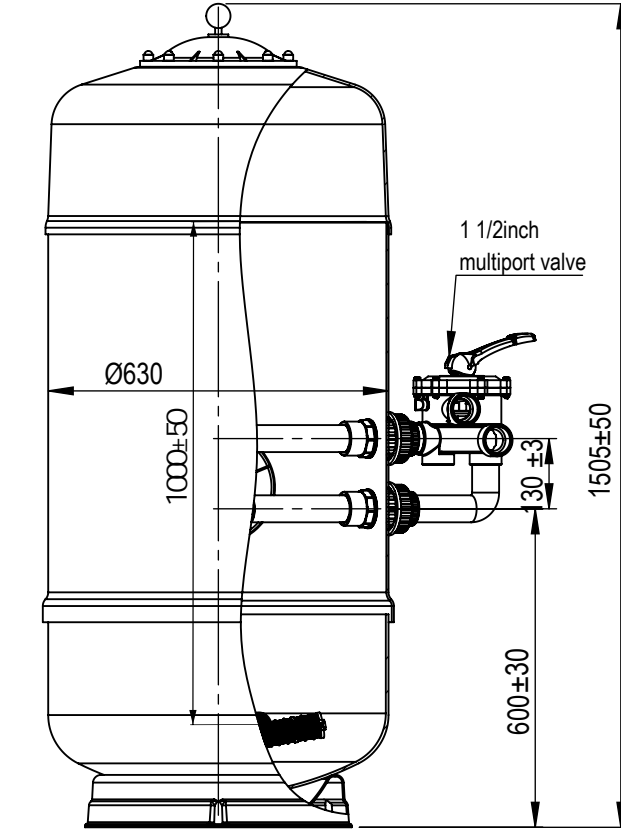
FILTRATION RATE : 50 m<sup>3</sup>/h/m<sup>2</sup>

PRODUCT YEAR :

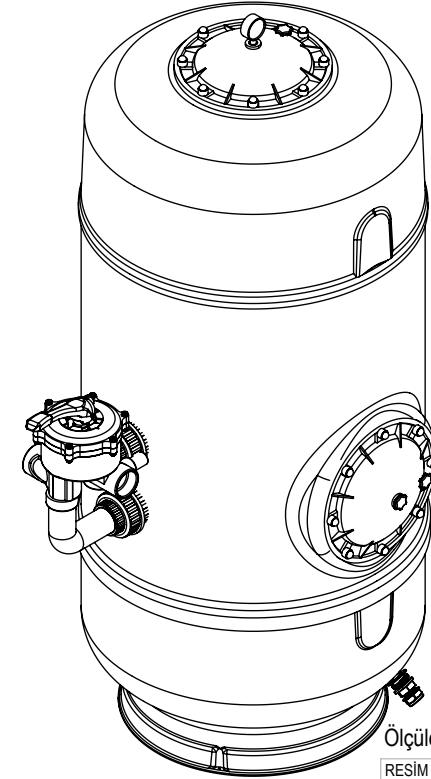
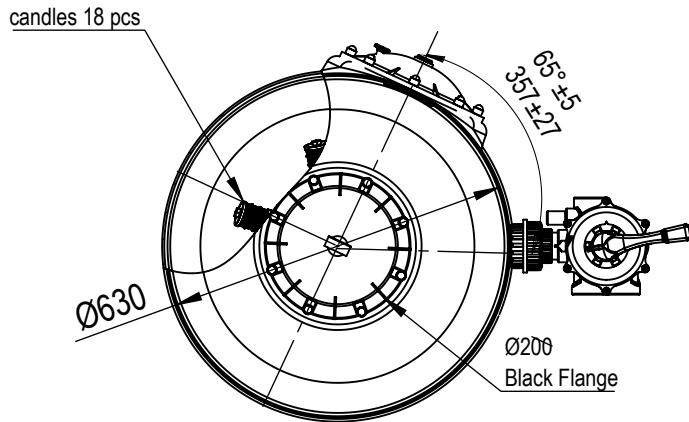
CUSTOMER NAME :

COLOR CODE:

SIPARIS NUMARASI :



Ø19 Water Drainage Piece



Ölçüler "mm" cinsindedir.

RESİM ÜZERİNDEN ÖLÇÜ ALINMAZ.  
DO NOT TAKE THE MEASUREMENT ON THE DRAWING

Rev. No / Rev. No	Rev. Tarihi / Rev. Date	Revizyon Notu / Revision Note	Rev.Ad-Soyad / Rev.Name-Surname	İmza / Signature
Revizyon / Revision	Tarihi / Date	Ad-Soyad / Name-Surname	İmza / Signature	Ağırlık (gr) / Weight (gr)
Çizen / Designed By	02.08.2023	MELTEM KILIÇ		Stok Kodu / Stock.No
Kontrol / Checked By		İBRAHİM KAYA		021312HB
Onay / Aproved By		İBRAHİM KAYA		
Ölçek / Scale	Parça Adı / Part Name		Form / Form	Malzeme / Metarial
	D.630 FILTRES HB FİLTRE		A4	

